

WINDOW BELT MOLDING REMOVAL TOOL



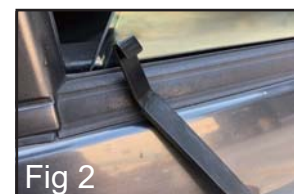
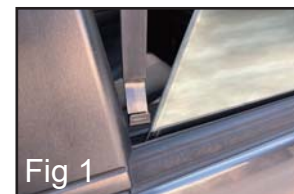
1. FEATURES

2. SPECIFICATIONS

3. INSTRUCTIONS

1. FEATURES

- Slim body helps access to tight spaces (Fig. 1)
- Head with a special angle allows tool insert into belt moldings easily
- Sloping edge on head grips inner linings firmly and helps pry on moldings
- Rubber covered body prevents scratches on door paints or windows (Fig. 2)
- Durable tool body does not break easily
- Works on belt moldings with and without clips
- Large handle provides comfortable grip



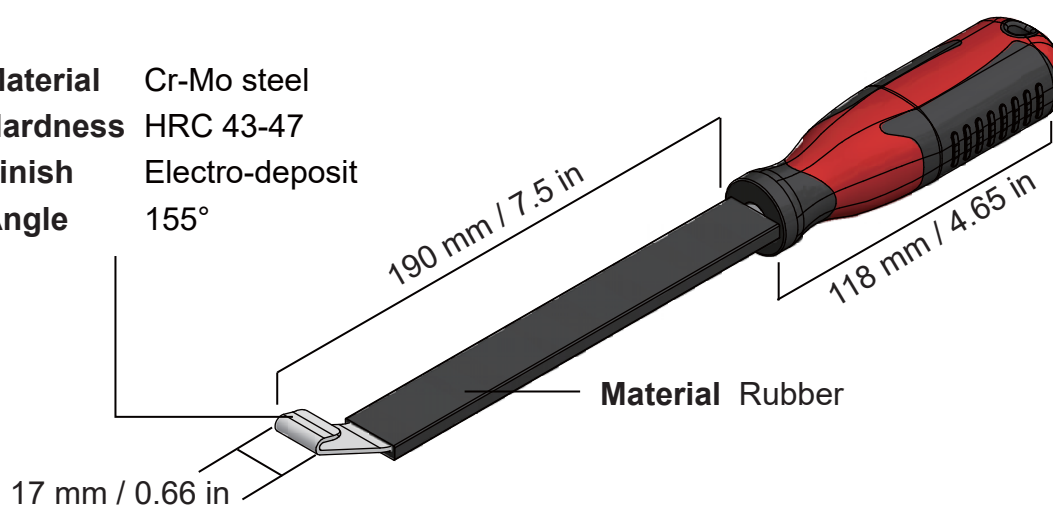
2. SPECIFICATIONS

Material Cr-Mo steel

Hardness HRC 43-47

Finish Electro-deposit

Angle 155°



3. INSTRUCTIONS



CAUTION



- Always read carefully the instructions before working
- This tool does not work on window belt moldings with screws
- Ensure the working area has adequate lighting
- Keep children and unauthorized persons away from the working area
- Keep working area clean and tidy, dry and free from unrelated materials
- DO NOT allow untrained persons to use this tool kit
- Always wear eye protection that meets OSHA and ANSI Z87.1 standards
- Always wear hand gloves and ear protection when work with the tool
- Disposal: Customers should follow local regulations to handle used/wasted parts

1. Apply some water mixed with detergent to reduce frictions between the rubber on the tool and blet molding rubber.
2. Lower the window completely.
3. Remove any clips or other fastners.
4. Insert the tool into the gap on the window belt molding (Fig. 3).
5. Lift the tool (Fig. 4) at several points on the window belt molding, and then the molding can be removed by hand.

