

BMW NYLON DRAIN PLUG SET



1. FEATURES

2. SPECIFICATIONS

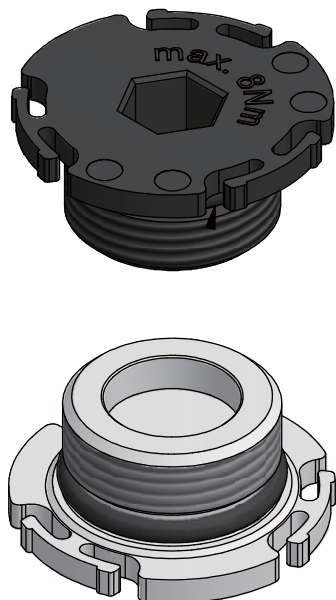
3. PRECAUTIONS

4. APPLICATIONS

1. FEATURES

- Nylon oil drain plug used on BMW
- Drain plug should be changed each time after oil change
- Work with an Allen wrench for removal

2. SPECIFICATIONS



Diameter	Ø36 mm
Thread Size	M24 × P1.5
O-ring	Ø19 × 3 mm
Max. Torque	8 Nm
Material	PA6-GF12
Internal Hex	10 mm
Quantity	6 pcs

3. PRECAUTIONS



CAUTION



- Always read the instructions carefully before using the tool
- Ensure the working area has adequate lighting
- Keep children and unauthorized persons away from the working area
- Keep working area clean and tidy, dry and free from unrelated materials
- DO NOT allow untrained persons to use this tool kit
- Always wear eye protection that meets OSHA and ANSI Z87.1 standards
- Always wear gloves when working with the tool
- Always wear ear protection
- Disposal: Customers should follow local regulations to handle used/wasted parts

4. APPLICATIONS

Make	Model	Year	Make	Model	Year
BMW	1 Series F20	2010-2018	BMW	4 Series F32, F82	2013-2018
BMW	1 Series F20 LCI	2014-2016	BMW	4 Series F33	2013-2018
BMW	1 Series F21	2011-2018	BMW	4 Series F36	2014-2018
BMW	1 Series F21 LCI	2014-2016	BMW	5 Series F07 GT LCI	2012-2015
BMW	2 Series F22	2013-2018	BMW	5 Series F10	2010-2017
BMW	2 Series F23	2014-2018	BMW	5 Series F10 LCI	2012-2016
BMW	3 Series F30	2011-2018	BMW	5 Series F11	2010-2018
BMW	3 Series F30 LCI	2014-2016	BMW	5 Series F11 LCI	2013-2015
BMW	3 Series F31	2011-2017	BMW	X1 E84	2009-2015
BMW	3 Series F34 GT	2013-2017	BMW	Z4 E89	2009-2018