

# FUEL INJECTOR REMOVER / INSTALLER – BMW (B36/ B38/ B48)



## Important!

Injectors may be pulled out with a maximum tensile force of 2000 N and twisted only to 6 Nm (torsion movement). If these values are exceeded, the injectors must be replaced!

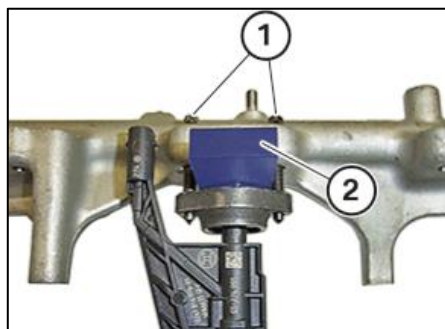
When assembling, it is essential to adhere to screwing sequences and tightening torques! Non-compliance with the disassembly/installation instructions may result in cracks on the weld seams of the injectors and hence engine fires!



Install all fixtures (1) for the injectors.

Note:

Locking (2) is not yet done, if the lever is up.



Mount the injectors to the rail including holders and new screws (M5x30).

Keep the rail on a clean table in such a way, that the openings on the rail for the injectors point up. The electrical injector connections must then be located to the left of the openings for injectors on the rail. Push the gauge (2) 2 358 022 onto the injector between the holder and the rail.

Make sure the gauge is in contact with the holder! Evenly tighten both M5x30 screws (1) by hand until the gauge is fully in contact with the rail and the holder. Then the distance gauge (1) 2 358 022 is to be removed again.

Repeat this operation for all injectors.

## FEATURES:

© For removing and installing/replacing all injectors.

© Applications : BMW (B36/B38/B48)

© OEM Ref : 2358417 , 2358022